

16P12
WATER COOLED TRIODE
 Directly heated
TENTATIVE

GENERAL

The 16P12 is a directly heated, water cooled triode with integral cooling. It has a thoriated tungsten filament and is intended for use in induction heating equipment. The filament is suitable for direct switching.

RATING

Filament Voltage	V_f	$8.0 \pm 5\%$ V
Filament Current	I_f	26.0 A
Maximum d.c. Anode Voltage	$V_{a(max)}$	8.0 kV
Maximum Peak Cathode Current	$i_k(pk)_{max}$	6.0 A
Maximum Anode Dissipation	$P_a(max)$	3.0 kW
Maximum Operating Frequency	$f(max)$	10 Mc/s
(Limited by water connections)	$f(max)$	40 Mc/s
(Limited by valve)	$f(max)$	40 Mc/s

INTER-ELECTRODE CAPACITANCES

Anode/Grid	C_{a-g}	11.5 pF
Grid/Filament	C_{g-f}	14.5 pF
Anode/Filament	C_{a-f}	0.8 pF

CHARACTERISTICS

Anode Voltage	V_a	5.0 kV
Anode Current	I_a	400 mA
Mutual Conductance	g_m	7.5 mA/V
Amplification Factor	μ	24

DIMENSIONS

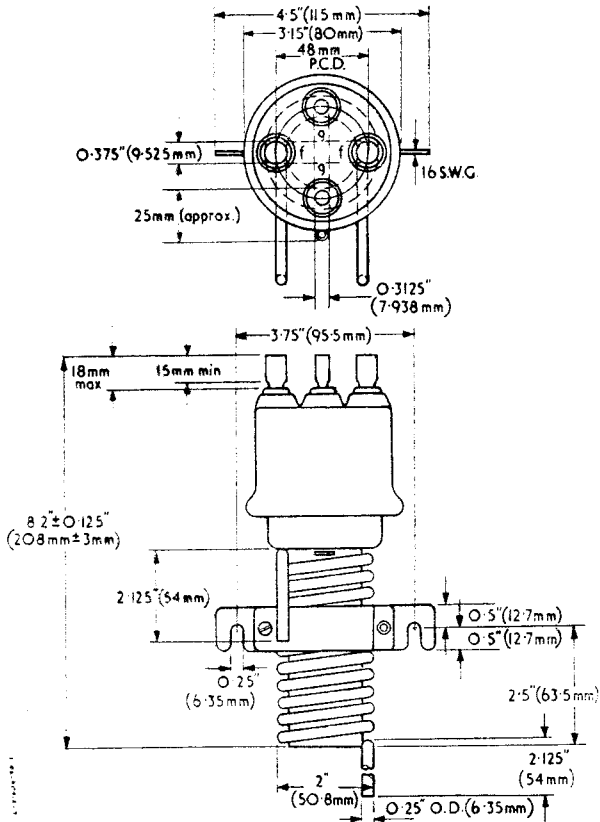
Maximum Overall length	211 mm
------------------------	--------

MOUNTING POSITION—Vertical, base upwards

ANODE—External

BASE—Special

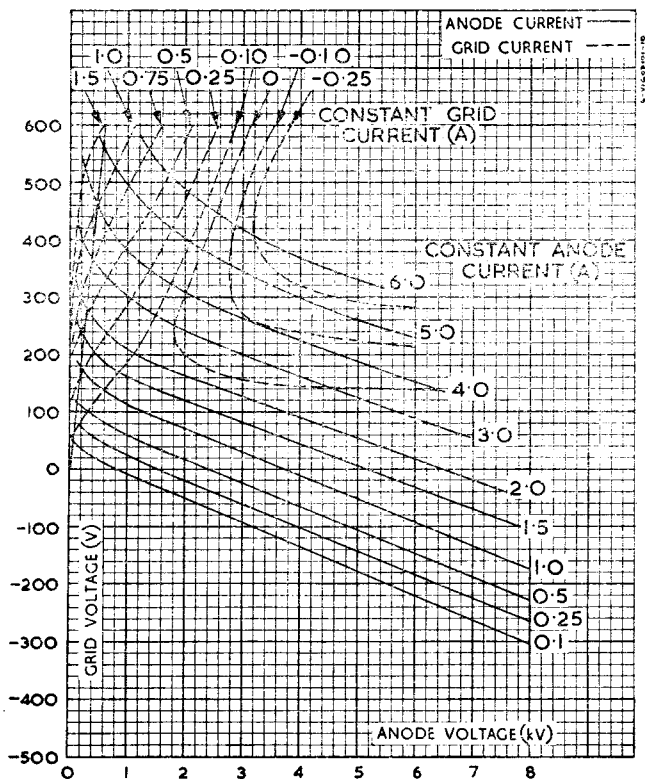
16P12
WATER COOLED TRIODE
 Directly heated
TENTATIVE



16P12

WATER COOLED TRIODE

Directly heated

TENTATIVE
 CHARACTERISTIC CURVES: V_g/V_a
 CONSTANT CURRENT CHARACTERISTICS


16P12

WATER COOLED TRIODE

Directly heated

TENTATIVE

WATER FLOW/DISSIPATION CHART

