

Color Picture Tube

"PERMA-CHROME" ASSEMBLY FOR OPTIMUM FIELD
 PURITY AND UNIFORMITY DURING WARM-UP

RECTANGULAR TUBE 90° MAGNETIC DEFLECTION
 MAGNETIC CONVERGENCE 3 ELECTROSTATIC-FOCUS GUNS

ALUMINIZED TRICOLOR PHOSPHOR-DOT *Hi-Lite* SCREEN
 (Utilizing a New, Improved Rare-Earth Red-Emitting Phosphor)

For Use in Color-TV Receivers

The 25YP22 is the same as the 25XP22 except for the following items:

OPTICAL

Faceplate. Filterglass
 Light transmission (Approx.) 69%
 Faceplate does not have an integral protective window^a

MECHANICAL

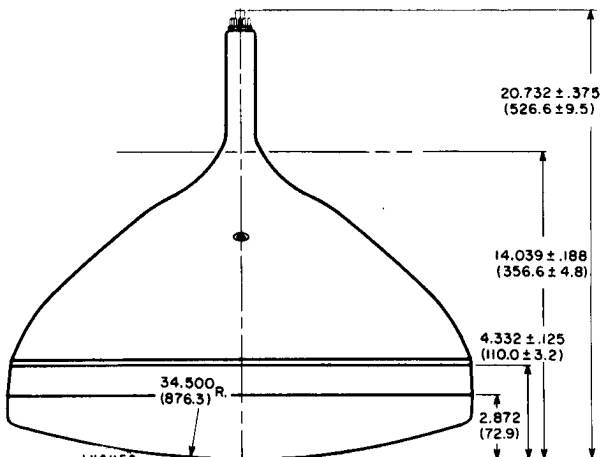
Tube Dimensions

Overall length 20.732 ± .375 in (526.6 ± 9.5 mm)
 Weight (Approx.) 37 lb (16.8 kg.)

^a It is recommended that the cabinet be provided with a shatter-proof glass cover over the face of the 25YP22 to protect it from being struck accidentally and to protect against possible damage resulting from tube implosion under some abnormal condition. This safety cover can also provide x-radiation protection when required.

DIMENSIONAL OUTLINE

Dimensions shown are only those which are different from the corresponding dimensions for the 25XP22



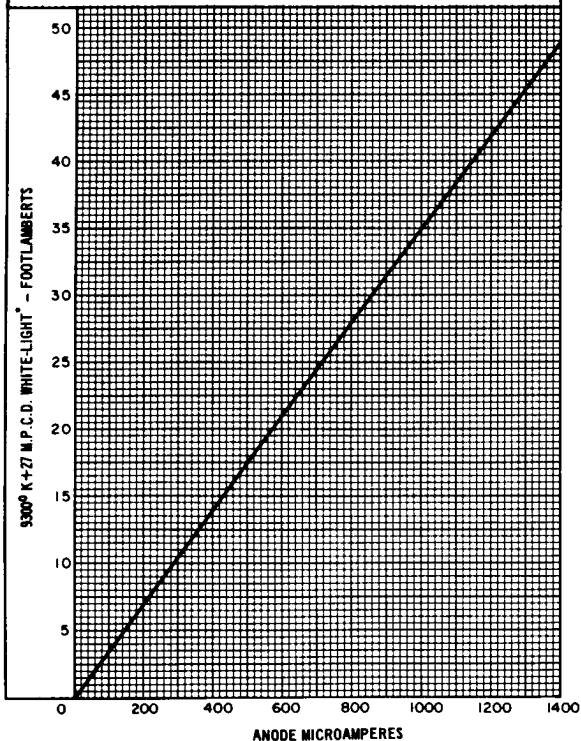
DIMENSIONS IN INCHES
 (mm)

Note: In side view, spherical radius = 34.000 in (863.6 mm).



Typical Light-Output Characteristic

HEATER VOLTAGE : 6.3 VOLTS
ANODE-TO-CATHODE VOLTAGE : 25000 VOLTS
GRID-No. 3-TO-CATHODE VOLTAGE ADJUSTED FOR FOCUS.
DRIVE OF EACH GUN IS ADJUSTED TO GIVE COMPOSITE ANODE
CURRENT TO PRODUCE 9300° K+27 M.P.C.D. WHITE-LIGHT OUTPUT.
PERCENTAGE OF TOTAL ANODE CURRENT SUPPLIED BY EACH GUN
TO PRODUCE 9300° K+27 M.P.C.D. WHITE:
 RED GUN: 34%
 BLUE GUN: 32%
 GREEN GUN: 34%
RASTER SIZE: 19.875" X 15.575" (504.8 mm X 395.6 mm)
***MEASURED WITHIN 5" - DIAMETER AREA CENTERED ON TUBE FACE.**



92LM-1955

