



# Cold-Cathode Voltage-Stabiliser

Code: VRI05/30 (CV686)←

The VR105/30 is a cold-cathode, gas-filled, voltage-stabiliser for use in industrial and radio equipment where a stable source of voltage is required. It is equivalent to the U.S.A. OC3 type.

## MECHANICAL DATA

Maximum overall length	104.8	mm
Maximum seated height	90.5	mm
Maximum diameter	39.7	mm
Base	Small shell octal	
Net weight	40	g
Mounting position		Unrestricted←

## CHARACTERISTICS

Maximum striking voltage	127	V←
Minimum applied supply voltage	133	V←
Maximum stabilising voltage at 40 mA	112	V←
Minimum stabilising voltage at 5 mA	105	V←
Nominal stabilising voltage	108	V←
D.C. operating current	5 to 40	mA
Maximum peak current (10 seconds max.)	100	mA
Nominal regulation, 5 to 30 mA	1	V←
Maximum regulation, 5 to 30 mA	2	V←
Nominal regulation, 5 to 40 mA	1.3	V←
Maximum regulation, 5 to 40 mA	4	V←
Nominal drift in stabilising voltage (100 to 1000 hours)	0.75	V←
Temperature coefficient, -20 to +70°C	±5	mV/°C←
Ambient temperature range	-55 to +70	°C

## NOTE

With suitable socket connections the internal connection between pins 3 and 7 acts as a switch to open the supply or load circuit when the valve is removed.

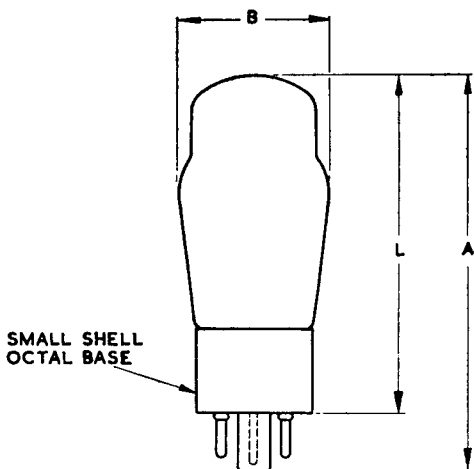
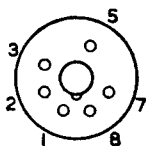
Not less than the quoted minimum supply voltage should be provided to ensure starting during life.

Sufficient resistance must always be kept in series with this type to limit the current through the valve to 40 mA under steady state conditions. As stated above during the initial warming up period a maximum current of 100 mA is permissible providing that a period of several minutes duration of operation at normal current follows.

Operation with reversed polarity will damage this valve.

# Cold-Cathode Voltage-Stabiliser

Code: VRI05/30 (CV686)←

SMALL SHELL  
OCTAL BASEBASING

- 1 NO CONNECTION
- 2 CATHODE
- 3 CONNECTED TO PIN 7
- 4 NO PIN
- 5 ANODE
- 6 NO PIN
- 7 CONNECTED TO PIN 3
- 8 NO CONNECTION

DIM	MILLIMETRES	INCHES
A	104.8 MAX	4 <sup>1</sup> / <sub>8</sub> MAX
B	39.7 MAX	1 <sup>9</sup> / <sub>16</sub> MAX
L	85.7 ± 4.8	3 <sup>3</sup> / <sub>8</sub> ± 3/ <sub>16</sub>

NOTE:- BASIC FIGURES ARE INCHES.