

TUNG-SOL

CATHODE RAY

COATED UNIPOTENTIAL CATHODE

HEATER

6.3 VOLTS 0.6 AMP.

AC OR DC

ANY MOUNTING POSITION

GLASS BULB

SMALL SHELL DUODECAL 5 PIN BASE

THE 15DP4 IS A DIRECTLY VIEWED PICTURE TUBE INTENDED FOR USE IN TELEVISION RECEIVERS. THE TUBE UTILIZES MAGNETIC FOCUS AND DEFLECTION TO PROVIDE 9 1/2" X 12 3/4" PICTURES WITH HIGH BRILLIANCE AND DEFINITION. THE ELECTRON GUN DESIGN UTILIZES A BENT ELECTRODE STRUCTURE TO BE USED WITH A SINGLE EXTERNAL MAGNETIC FIELD FOR THE ELIMINATION OF ION SPOT BLEMISHES.

DESCRIPTION

| | |
|----------------------------------|-------------------------|
| FLUORESCENCE AND PHOSPHORESCENCE | WHITE |
| PERSISTENCE | MEDIUM |
| DEFLECTING AND FOCUSING METHOD | MAGNETIC |
| DEFLECTION ANGLE (APPROX.) | 57 DEGREES |
| BULB CONTACT | RECESSED SMALL BALL CAP |

DIRECT INTERELECTRODE CAPACITANCES - APPROX.

| | | |
|---------------------------------|---|----|
| GRID #1 TO ALL OTHER ELECTRODES | 7 | μf |
| CATHODE TO ALL OTHER ELECTRODES | 5 | μf |

RATINGS

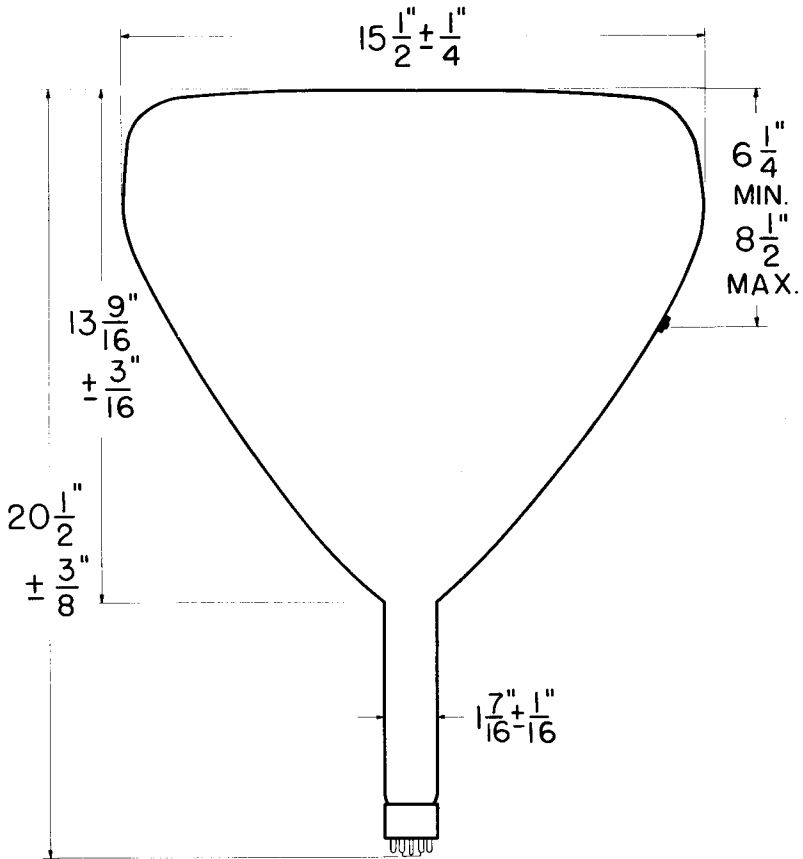
INTERPRETED ACCORDING TO RMA STANDARD M8-210

| | | |
|---|--------|----------|
| HEATER VOLTAGE | 6.3 | VOLTS |
| HEATER CURRENT | 0.6 | AMP. |
| MAXIMUM ANODE VOLTAGE (A+G ₃) | 15 000 | VOLTS |
| MAXIMUM GRID #2 VOLTAGE | 410 | VOLTS |
| MAXIMUM GRID #1 VOLTAGE: | | |
| NEGATIVE BIAS VOLTAGE | 125 | VOLTS |
| POSITIVE BIAS VOLTAGE | 0 | VOLTS |
| POSITIVE PEAK VOLTAGE | 2 | VOLTS |
| PEAK HEATER-CATHODE VOLTAGE: | | |
| HEATER NEGATIVE WITH RESPECT TO CATHODE: | | |
| DURING EQUIPMENT WARM UP PERIOD NOT | | |
| EXCEEDING 15 SECONDS | 410 | VOLTS |
| AFTER EQUIPMENT WARM UP PERIOD | 140 | VOLTS |
| HEATER POSITIVE WITH RESPECT TO CATHODE | 140 | VOLTS |
| MAXIMUM GRID #1 CIRCUIT RESISTANCE | 1.5 | MEG OHMS |

TYPICAL OPERATING CONDITIONS AND CHARACTERISTICS

| | | |
|--|------------|-------|
| ANODE VOLTAGE | 13 000 | VOLTS |
| GRID #2 VOLTAGE | 250 | VOLTS |
| GRID #1 VOLTAGE (VISUAL EXTINCTION OF UN- DEFLECTED FOCUSED SPOT) | -27 to -63 | VOLTS |
| DC FOCUSING COIL CURRENT (APPROX.) | 146 | MA. |
| DC ION-TRAP MAGNET CURRENT (APPROX.) | 105 | MA. |

TUNG-SOL



- 1. HEATER
- 2. GRID #1
- 10. GRID #2
- 11. CATHODE
- 12. HEATER
- CAP ANODE, GRID #3

