

TUNG-SOL

CATHODE RAY

THE 16WP4 AND 16WP4A ARE DIRECT-VIEW PICTURE TUBES DESIGNED FOR USE IN TELEVISION APPLICATIONS. THEY ARE IDENTICAL *EXCEPT* FOR THE EXTERNAL CONDUCTIVE COATING USED ON THE 16WP4A. THEIR COMMON FEATURES INCLUDE:

UNIPOTENTIAL CATHODE	GREY FILTER FACEPLATE
MAGNETIC FOCUS & DEFLECTION	ROUND GLASS CONSTRUCTION
EXTERNAL DOUBLE FIELD ION TRAP	10 1/4" X 14 1/2" RASTER SIZE

ELECTRICAL DATA

FOCUSING METHOD		MAGNETIC
DEFLECTING METHOD		MAGNETIC
DEFLECTION ANGLE (APPROX.)	70	DEGREES
DIRECT INTERELECTRODE CAPACITANCES (APPROX.)		
MAXIMUM EXTERNAL CONDUCTIVE COATING TO ANODE	16WP4 1 500	μf
MINIMUM EXTERNAL CONDUCTIVE COATING TO ANODE	16WP4A 750	μf

OPTICAL DATA

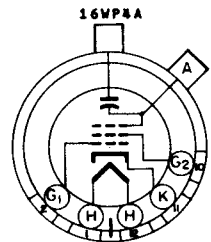
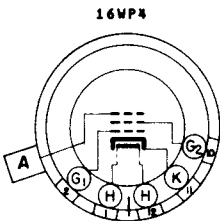
PHOSPHOR NUMBER		NO. 4
FLUORESCENT COLOR		WHITE
PHOSPHORESCENT COLOR		WHITE
PERSISTENCE		MEDIUM
FACEPLATE LIGHT TRANSMISSION AT CENTER (APPROX.)	70	PERCENT

MECHANICAL DATA

OVERALL LENGTH	17 3/4 \pm 3/8	INCHES
GREATEST DIAMETER OF BULB	15 7/8 \pm 1/8	INCHES
MINIMUM USEFUL SCREEN DIAMETER	14 1/2	INCHES
BULB CONTACT	RECESSED SMALL CAVITY CAP	J1-21
BASE	SMALL SHELL DUODECAL 5 PIN	B5-57
BASING	16WP4 - 12D 16WP4A	12N
BULB CONTACT ALIGNMENT		
J1-21 CONTACT ALIGNS WITH PIN POSITION #3 \pm 10 DEGREES		

PIN CONNECTIONS

PIN 1 - HEATER
 PIN 2 - GRID NO. 1
 PIN 10 - GRID NO. 2
 PIN 11 - CATHODE
 PIN 12 - HEATER
 ANODE CAP



BOTTOM VIEW

CONTINUED ON FOLLOWING PAGE

PRINTED IN U. S. A.

TUNG-SOL

CONTINUED FROM PRECEDING PAGE

RATINGS

DESIGN CENTER VALUES

HEATER VOLTAGE	6.3	VOLTS
HEATER CURRENT	0.6	AMP.
MAXIMUM DC ANODE VOLTAGE	16 000	VOLTS
MAXIMUM DC GRID #2 VOLTAGE	410	VOLTS
MAXIMUM GRID #1 VOLTAGE:		
DC NEGATIVE-BIAS VALUE	125	VOLTS
DC POSITIVE-BIAS VALUE	0	VOLTS
POSITIVE-PEAK VALUE	2	VOLTS
MAXIMUM DC PEAK HEATER-CATHODE VOLTAGE:		
HEATER NEGATIVE WITH RESPECT TO CATHODE		
DURING WARM-UP PERIOD NOT TO EXCEED 15 SECONDS	410	VOLTS
AFTER EQUIPMENT WARM-UP PERIOD	125	VOLTS
HEATER POSITIVE WITH RESPECT TO CATHODE	125	VOLTS

TYPICAL OPERATING CONDITIONS AND CHARACTERISTICS

DC ANODE VOLTAGE	12 000	VOLTS
DC GRID #2 VOLTAGE	250	VOLTS
DC GRID #1 VOLTAGE ^A	-27 TO -63	VOLTS
DC FOCUSING COIL CURRENT (APPROX.) ^B	110	MA.
DC ION TRAP CURRENT STANDARD COIL #108 (APPROX.)	120	MA.

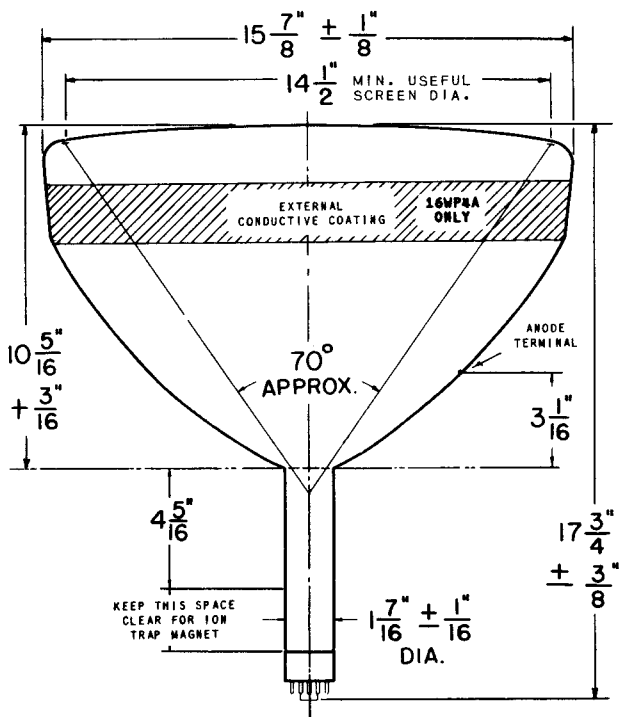
^A VISUAL EXTINCTION OF UNDEFLECTED FOCUSED SPOT.

^B FOR STANDARD FOCUS COIL #109, OR EQUIVALENT, WITH THE COMBINED GRID #1 BIAS VOLTAGE AND VIDEO SIGNAL VOLTAGE ADJUSTED TO PRODUCE A HIGHLIGHT BRIGHTNESS OF 20 FOOT LAMBERTS ON A 10 1/4" BY 14 1/2" PICTURE SIZE. DISTANCE FROM REFERENCE LINE TO CENTER OF AIR GAP ON FOCUS COIL SHALL BE 3 INCHES.

CIRCUIT VALUES

MAXIMUM GRID #1 CIRCUIT RESISTANCE	1.5	MEGOHMS
------------------------------------	-----	---------

TUNG-SOL



PRINTED IN U. S. A.