

TUNG-SOL

CATHODE RAY

THE 17KP4 IS A DIRECT VIEW PICTURE TUBE INTENDED FOR USE IN TELEVISION APPLICATIONS. ITS FEATURES INCLUDE:

MAGNETIC DEFLECTION	ELECTROSTATIC FOCUS
UNIPOTENTIAL CATHODE	GREY FILTER FACEPLATE
EXTERNAL CONDUCTIVE COATING	1 $\frac{1}{4}$ " X 10 $\frac{3}{4}$ " RASTER SIZE
RECTANGULAR GLASS CONSTRUCTION	EXTERNAL SINGLE FIELD ION WRAP

ELECTRICAL DATA

FOCUSING METHOD		ELECTROSTATIC
DEFLECTING METHOD		MAGNETIC
DEFLECTION ANGLE (APPROX.)		
HORIZONTAL	65	DEGREES
DIAGONAL	70	DEGREES
DIRECT INTERELECTRODE CAPACITANCES (APPROX.)		
CATHODE TO ALL OTHER ELECTRODES	6.0	$\mu\mu\text{f}$
GRID #1 TO ALL OTHER ELECTRODES	6.5	$\mu\mu\text{f}$
MAXIMUM EXTERNAL CONDUCTIVE COATING TO ANODE	1 500	$\mu\mu\text{f}$
MINIMUM EXTERNAL CONDUCTIVE COATING TO ANODE	1 000	$\mu\mu\text{f}$

OPTICAL DATA

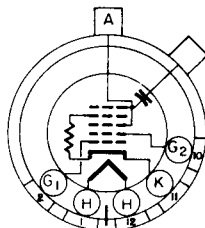
PHOSPHOR NUMBER		NO. 4
FLUORESCENT COLOR		WHITE
PHOSPHORESCENT COLOR		WHITE
PERSISTENCE		MEDIUM
FACEPLATE LIGHT TRANSMISSION AT CENTER (APPROX.)	66	PERCENT

MECHANICAL DATA

OVERALL LENGTH	19 $\frac{1}{4}$ \pm $\frac{3}{8}$	INCHES
GREATEST DIMENSIONS OF BULB		
DIAGONAL	16 $\frac{5}{8}$ \pm $\frac{1}{8}$	INCHES
WIDTH	15 $\frac{3}{8}$ \pm $\frac{1}{8}$	INCHES
HEIGHT	12 $\frac{1}{4}$ \pm $\frac{1}{8}$	INCHES
MINIMUM USEFUL SCREEN DIMENSIONS		
WIDTH	14 $\frac{1}{4}$	INCHES
HEIGHT	10 $\frac{3}{4}$	INCHES
BULB CONTACT	RECESSED SMALL CAVITY CAP	J1-21
BASE	SMALL SHELL DUODECAL 5 PIN	B5-57
BASING		12P
BULB CONTACT ALIGNMENT		
J1-21 CONTACT ALIGNS WITH PIN POSITION #6 \pm 30 DEGREES		

PIN CONNECTIONS

PIN NO. 1 - HEATER
 PIN NO. 2 - GRID NO. 1
 PIN NO. 10 - GRID NO. 2



PIN NO. 11 - CATHODE
 PIN NO. 12 - HEATER
 ANODE CAP

BOTTOM VIEW

CONTINUED ON FOLLOWING PAGE

TUNG-SOL

CONTINUED FROM PRECEDING PAGE

RATINGS

DESIGN CENTER VALUES

HEATER VOLTAGE	6.3	VOLTS
HEATER CURRENT	0.6	AMP.
MAXIMUM DC ANODE VOLTAGE	16 000	VOLTS
MAXIMUM DC GRID #2 VOLTAGE	500	VOLTS
MAXIMUM GRID #1 VOLTAGE		
DC NEGATIVE-BIAS VALUE	125	VOLTS
DC POSITIVE-BIAS VALUE	0	VOLTS
POSITIVE-PEAK VALUE	2	VOLTS
MAXIMUM DC PEAK HEATER-CATHODE VOLTAGE		
HEATER NEGATIVE WITH RESPECT TO CATHODE		
DURING WARM-UP PERIOD NOT TO EXCEED 15 SECONDS	410	VOLTS
AFTER EQUIPMENT WARM-UP PERIOD	180	VOLTS
HEATER POSITIVE WITH RESPECT TO CATHODE	180	VOLTS

TYPICAL OPERATING CONDITIONS AND CHARACTERISTICS

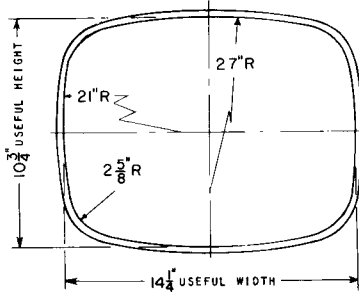
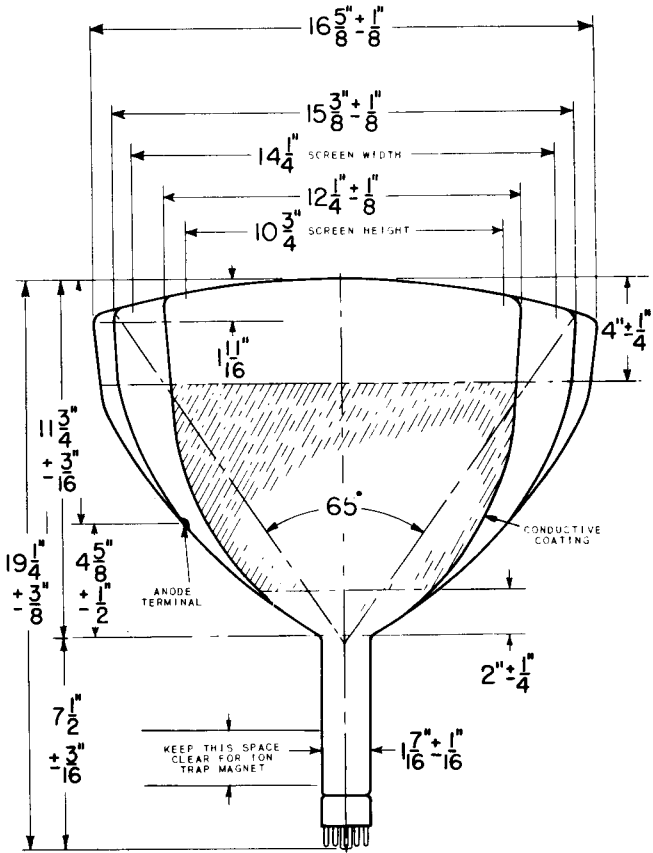
DC ANODE VOLTAGE	12 000	VOLTS
DC GRID #2 VOLTAGE	300	VOLTS
DC GRID #1 VOLTAGE ^A	-33 TO -77	VOLTS
DC ION TRAP CURRENT STANDARD COIL #111 (APPROX.)	50 ± 50%	MA.
FIELD STRENGTH OF CENTERING MAGNET	0 TO 8	GAUSSSES

^A VISUAL EXTINCTION OF UNDEFLECTED FOCUSED SPOT.

CIRCUIT VALUES

MAXIMUM GRID #1 CIRCUIT RESISTANCE	1.5	MEGOHMS
------------------------------------	-----	---------

TUNG-SOL



PRINTED IN U. S. A.