



**EITEL-McCULLOUGH, INC.**  
SAN CARLOS, CALIFORNIA

TENTATIVE DATA

**1K20XS**

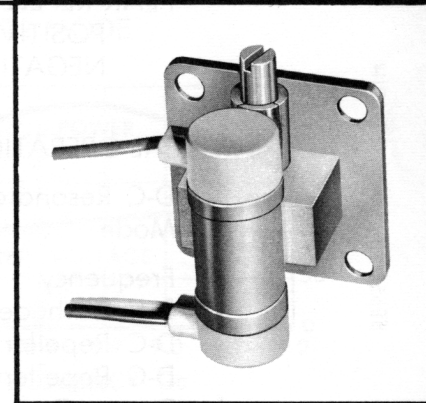
X-BAND

REFLEX KLYSTRON

The Eimac 1K20XS is a ceramic and metal, conduction-cooled reflex klystron designed for local oscillator service in applications encountering severe vibration, shock or temperature extremes. This tube will deliver a typical output power of 75 milliwatts over the frequency range of 8500 to 9200 megacycles.

The stacked-ceramic construction results in an extremely rugged design and a low sensitivity to vibration.

Leads to the tube are permanently attached and protected by molded silastic rubber caps which permit operation at any altitude without flashover.



**GENERAL CHARACTERISTICS**

**ELECTRICAL**

Cathode: Unipotential, oxide coated.	
Warm-up time	30 seconds
Heater: Voltage	6.3 volts
Current	0.8 ampere
Typical Output Power (Load VSWR = 1.15:1)	75 milliwatts
Frequency Range	8500 to 9200 megacycles

**MECHANICAL**

Operating Position	Any
Mounting	UG-39/U waveguide flange
Cooling	Conduction
Electrical Connections	Flexible leads
R-F Output Coupling	RG-52/U waveguide
Net Weight	4 ounces
Shipping Weight (Approximate)	2 pounds
Maximum Overall Dimensions:	
Height	1.40 inches
Width	1.63 inches
Length	2.28 inches

**ENVIRONMENTAL**

Maximum Ambient Temperature	150° C
Maximum Altitude	No limit
Maximum Non-Operating Shock (11 ms Duration)	40 g
Maximum Operating Shock* (11 ms Duration)	40 g
Maximum Operating Vibration** (20 to 2000 cps)	10 g

\*Based on a permanent frequency shift after drop of 2 megacycles.

\*\*Based on a maximum peak-to-peak frequency deviation of 100 kilocycles.

---

## 1K20XS

---

### MAXIMUM RATINGS

DC RESONATOR VOLTAGE*	350 MAX. VOLTS
D-C CATHODE CURRENT	55 MAX. MA.
RESONATOR DISSIPATION	20 MAX. WATTS
PEAK REPELLER VOLTAGE*	
POSITIVE WITH RESPECT TO CATHODE	0 MAX. VOLTS
NEGATIVE WITH RESPECT TO CATHODE	500 MAX. VOLTS

### TYPICAL OPERATION (Load VSWR less than 1.15 to 1)

D-C Resonator Voltage	350	300 volts
Mode	5 $\frac{3}{4}$	5 $\frac{3}{4}$
Frequency	8850	8850 megacycles
D-C Cathode Current	50	40 milliamperes
D-C Repeller Voltage*	135	150 volts
D-C Repeller Current	1	1 microampere
Power Output	90	70 milliwatts
Electronic Tuning (3 db bandwidth)	40	40 megacycles
Modulation Sensitivity ( $\Delta E_r = \pm 3$ volts)	1.5	1.5 Mc/volt
Peak-to-Peak FM Deviation (10g, 20-2000 cps)	50	50 kilocycles
Residual FM	50	50 kilocycles

\*All voltages referred to cathode.

### APPLICATION

**Cooling:** At sea level this tube will not require forced-air cooling when operated at its maximum rated dissipation with an ambient temperature less than 150° Centigrade. The waveguide-flange connection will normally provide the required heat sink for conduction cooling. If an insulator is used between the tube and waveguide for D-C isolation, forced-air cooling may be required to maintain the ceramic-to-metal seal temperatures below the maximum rating of 250° Centigrade.

**Resonator:** The resonator of the 1K20XS is integral with the body of the klystron. For this reason it is often convenient to operate the resonator at chassis potential, with the repeller and cathode at appropriate negative potentials.

**Cathode:** The heater voltage should be maintained within  $\pm 5\%$  of the rated value of 6.3 volts if variations in performance are to be minimized and best tube life obtained.

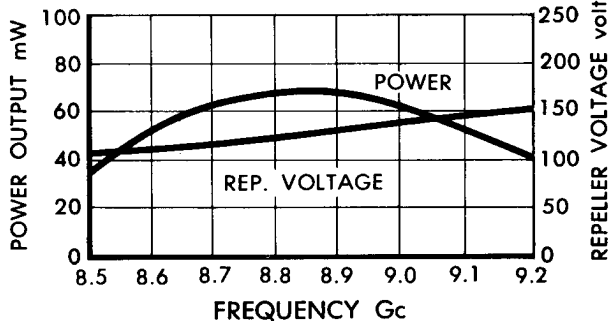
The heater and cathode of the 1K20XS are internally connected. When the resonator of this tube is operated at chassis potential, the heater transformer must be insulated for the cathode-to-resonator voltage.

**Mechanical Tuning:** In the 1K20XS a fixed-tuned inner cavity is closely coupled through a ceramic window to a secondary cavity outside the vacuum. Mechanical tuning is accomplished by a capacitive slug in the secondary cavity with a tuning rate of approximately 150 megacycles per turn. This design allows repeated tuner cycling without damaging the vacuum seals. The maximum tuner torque is 40 inch-ounces.

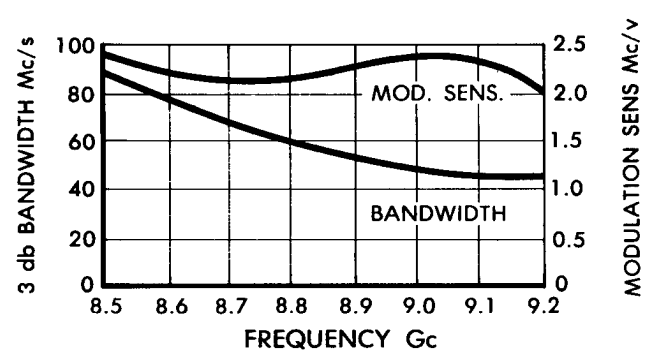
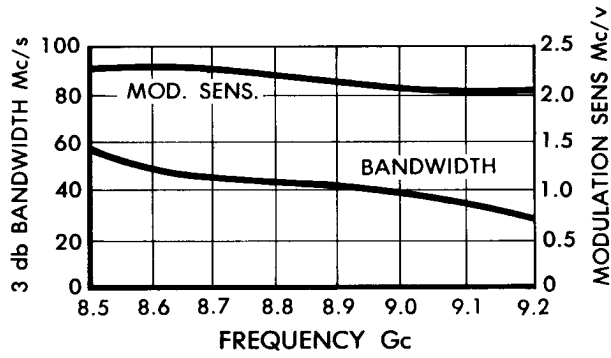
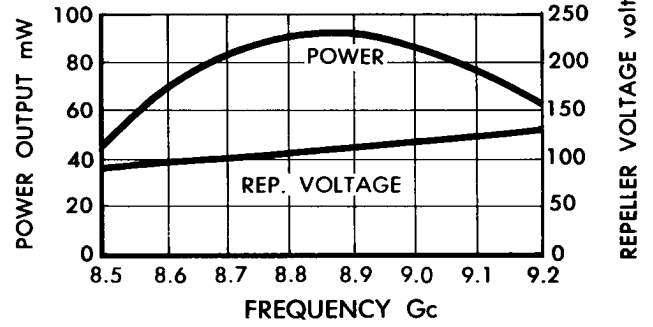
A clockwise rotation of the tuner will produce a decrease in frequency.

# IK20XS TYPICAL OPERATING CHARACTERISTICS

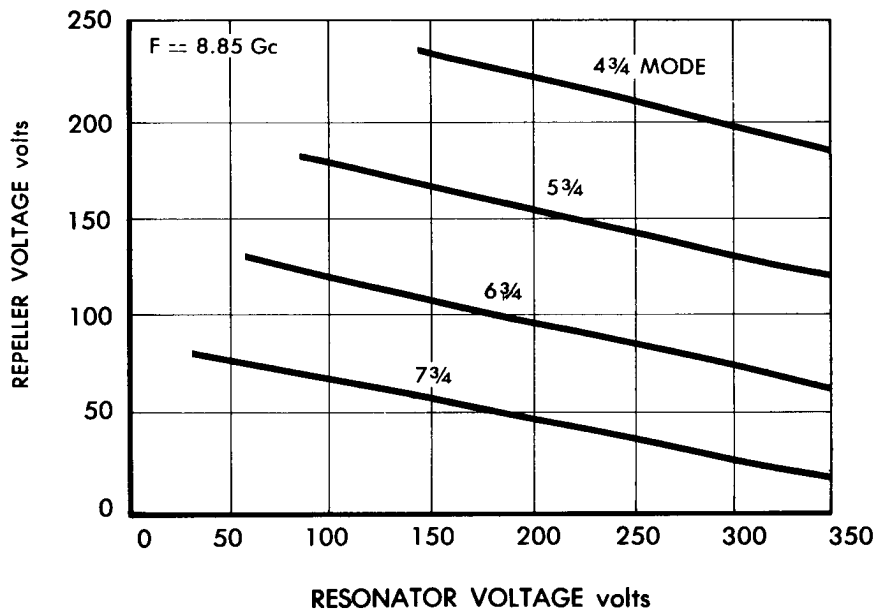
$E_{RHS} = 300 \text{ Vdc}$   
 $I_K = 40 \text{ mA dc}$   
 5 $\frac{3}{4}$  MODE



$E_{RHS} = 350 \text{ Vdc}$   
 $I_K = 50 \text{ mA dc}$   
 5 $\frac{3}{4}$  MODE

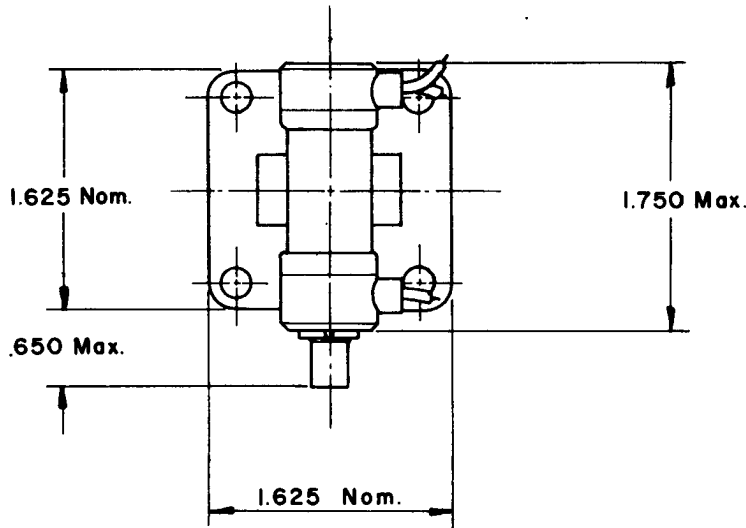


## MODE CHARACTERISTICS





# IK20XS



**NOTE:**

1. Mates with UG-39/U flange  
for RG-52/U waveguide

**CONNECTIONS**

- 1. REPELLER - RED
- 2. CATHODE - BLACK
- 3. HEATER - WHITE

