



Air-Blast-Cooled Triode

3J/170E

CATHODE.

Thoriated tungsten filament

Voltage	10	V
Nominal current	22	A
Peak emission	6	A

RATING.

Amplification factor	$\left\{ \begin{array}{l} \text{measured at } V_a \text{ 4 kV} \\ I_a \text{ 0.5A} \end{array} \right\}$	20	
Impedance		3,300	Ω

DIRECT INTER-ELECTRODE CAPACITIES.

Grid to anode	6	pF
Grid to filament	9.5	pF
Anode to filament	1.5	pF

COOLING.

For anode dissipation of $3\frac{1}{2}$ kWVolume of air at pressure of 1 inch
of water.

Maximum radiator core temperature	130°	C
Maximum ambient temperature	45°	C

300 cu. ft./min.

DIMENSIONS.

Maximum overall length	225	mm.
Maximum diameter over radiator	155	mm.

MAXIMUM RATINGS.

Maximum direct anode voltage	6,000	V
Maximum direct anode current	1.25	A
Maximum anode dissipation	$3\frac{1}{2}$	kW
Maximum grid dissipation	150	W
Maximum frequency for above ratings	50	Mc/s.

Air-Blast-Cooled Triode

3J/170E



TYPICAL OPERATING CONDITIONS

RADIO FREQUENCY

Class B Telephony. Modulated Carrier applied to grid.

(Carrier conditions per valve for use with 100% modulation).

Direct anode voltage	5	kV
Grid bias	—260	V
Direct anode current	0.9	A
Peak R.F. grid voltage	960	V
Power output	1.4	kW

Class C Power Amplifier. Anode subject to modulation.

(Carrier conditions per valve for use with 100% modulation).

Direct anode voltage	4	kV
Grid bias	—900	V
Direct anode current	1.0	A
Peak R.F. grid voltage	1,500	V
* Direct grid current	0.230	A
Power output	2.5	kW

Class C. Power Amplifier or Oscillator, unmodulated.

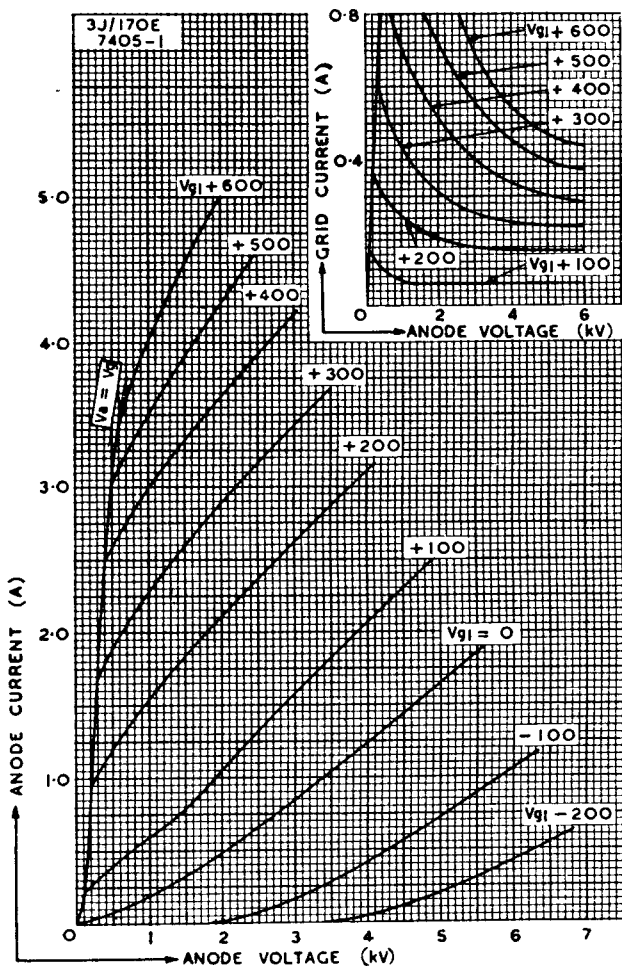
Direct anode voltage	6	kV
Grid bias	—700	V
Direct anode current	1.25	A
Peak R.F. grid voltage	1,400	V
* Direct grid current	0.262	A appx.
Power output	5	kW. appx.

* Subject to wide variation, depending upon the impedance of the load circuit.



Air-Blast-Cooled Triode

3J/170E

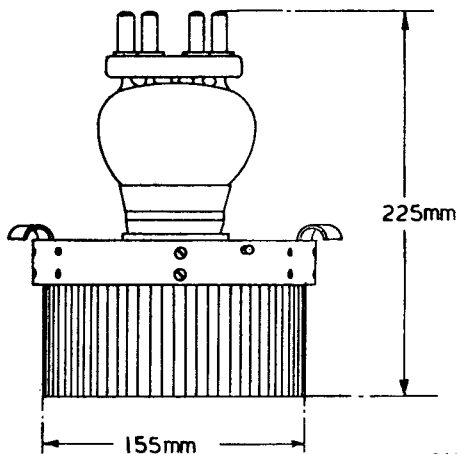
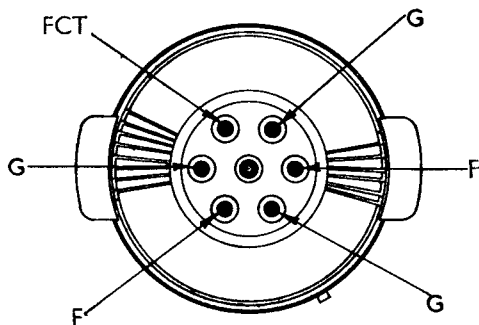


3J/170E

Air-Blast-Cooled Triode



3J/170E



May 1947

3J/170E-4