

Cathode Ray Tube for Television Reception.

12-INCH SCREEN

HEATER CHARACTERISTICS

Heater Voltage	Vf	= 4.0 volts
Heater Current	If	= 1.2 amps

OPERATING CHARACTERISTICS

Second Anode Voltage	Va2	= 4,000-5,000 volts
First Anode Voltage	Va1	= 250 volts
*Grid Voltage	-Vg	= 0-60 volts

Cathode internally connected to Heater—

Electromagnetic Deflection Sensitivity	...	Y = $\sqrt{\frac{13L}{Va2}}$	mm. per Gauss.
--	-----	------------------------------	----------------

(Where L is the length of deflection zone in millimetres and Va2 the second anode voltage.)

Ampere turns for focusing coil	= 500 A.T.
--------------------------------	-----	-----	------------

INPUT CAPACITY

Grid to all other Electrodes	Cg	= 6.0 $\mu\mu$ F
------------------------------	-----	-----	-----	----	------------------

FLUORESCENT COLOUR

White

DEFLECTION

Double Electromagnetic

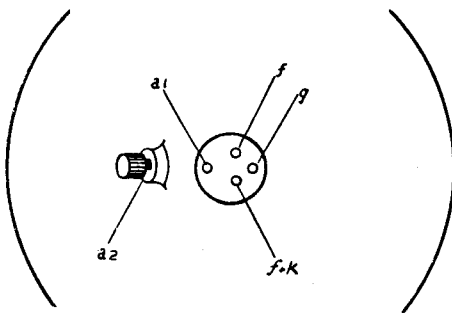
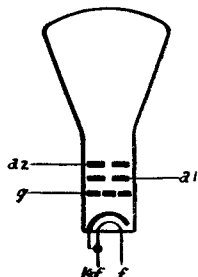
LIMITS

Maximum Second Anode Voltage	Va2 _{max}	= 6,000 volts
Maximum First Anode Voltage	Va1 _{max}	= 250 volts

* The Grid Voltage should be adjusted to give the required light intensity. The voltage should never become positive or damage to the tube will result.

M46-12

Mullard TELEVISION TUBE



BOTTOM VIEW OF TUBE

FIG 2

DIMENSIONS IN M/M

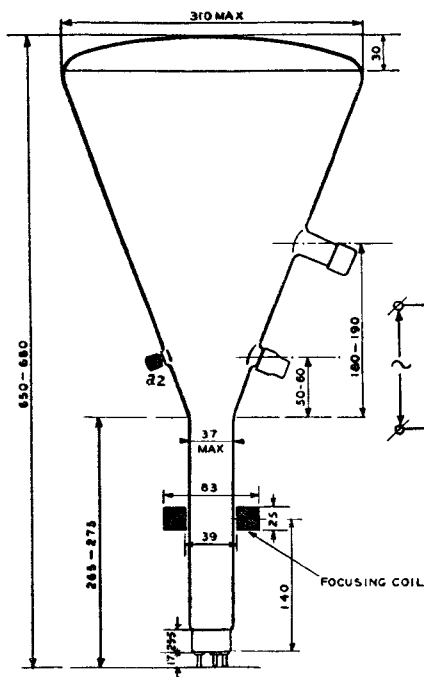


FIG 3

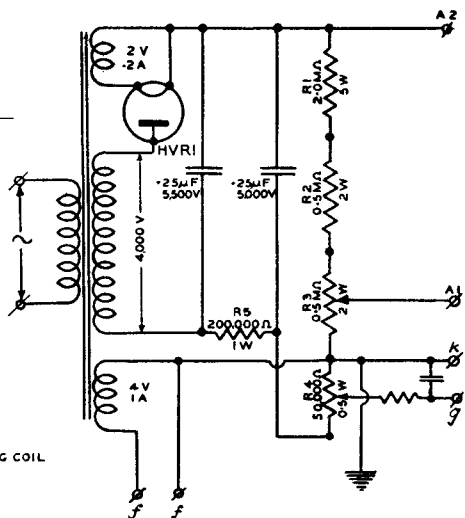


FIG 4