

# 14KP4A

Release No. 1209

## 14" RECT. GREY FACE TELEVISION TUBE

### GENERAL DATA

Fluorescent Colour of Screen	white
Light Transmission of Grey Face	approx. 66%
Focus	magnetic
Deflection	magnetic
Deflection Angle (for diagonal of 319 mm)	70 degrees
Ion Trap	magnetic
Weight (approx.)	9½ lbs.
Mounting Position	- Any, except vertical with screen uppermost

### CATHODE DATA

Indirectly heated - series or parallel operation			
Heater Voltage	V <sub>h</sub>	6.3	V
Heater Current	I <sub>h</sub>	0.3	A
Heater Voltage Switching Surge must not exceed 8.5 volts			

### CAPACITANCES

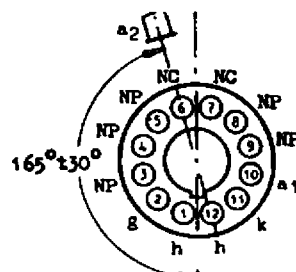
Grid/All other electrodes	c <sub>g,all</sub>	6.5	pF
Cathode/All other electrodes	c <sub>k,all</sub>	5.5	pF
Anode No.2/External coating	ca <sub>2,M</sub>	1,200	pF

### RATINGS

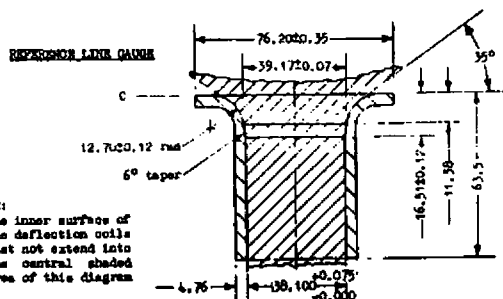
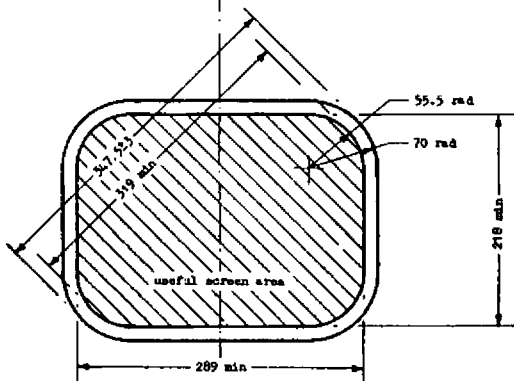
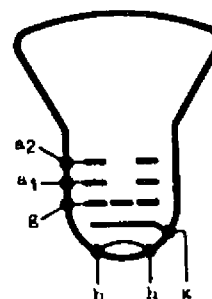
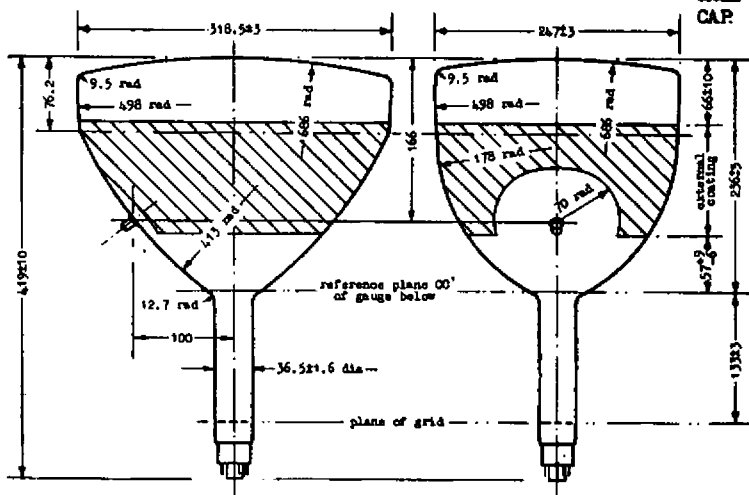
Max. Anode No.2 Voltage	V <sub>a2</sub> max.	14	KV
Max. Anode No.1 Voltage	V <sub>a1</sub> max.	410	V
Min. Anode No.1 Voltage	V <sub>a1</sub> min.	200	V
Min. Grid Voltage	V <sub>g</sub> min.	-1	V
Max. Grid Voltage (Visual cut-off)	V <sub>g</sub> max.	-0.24 x V <sub>a1</sub>	V
Max. Peak Heater/Cathode Voltage (heater negative to cathode)	V <sub>h,k(pk)</sub> max.	150	V
Max. Grid Resistor	R <sub>g,k</sub> max.	1	MΩ

### TYPICAL OPERATION

Anode No.2 Voltage	V <sub>a2</sub>	12	KV
Anode No.1 Voltage	V <sub>a1</sub>	250	V
Grid Drive for Peak Brightness	V <sub>g</sub> change	30	V
Peak Cathode Current	i <sub>k(pk)</sub>	195	mA



BASE - B12A - Duodecal  
CAP. - C.T.2. (9 mm) View under base



All dimensions in millimetres

**Electronic Tubes Ltd.**

Kingsmead Works  
High Wycombe, Bucks  
England