



**RADIO MANUFACTURERS ASSOCIATION
ENGINEERING DEPARTMENT**

Release No. 410

May 25, 1945

TYPE 4B36 **

sponsor:
General Electric Co.

Gas Filled Rectifier*

General Characteristics

Electrical

Filament: Thoriated Tungsten

Voltage	2.0 ± 5% V. a-c
Current	12.0A. a-c (approx.)

Pick-up Voltage, volts d-c	<u>Hot</u>	<u>Cold</u>
Average	4.5	9.5
Minimum	2.5	8.0
Maximum	6.0	11.0

Arc Voltage

Average	6.0	7.5
Minimum	4.5	6.0
Maximum	7.5	9.0

Mechanical

Type of Cooling	Convection
Base	Skirted Medium Screw

Maximum Overall Dimensions

Length	4 21/32"
Diameter	2 3/16"

Maximum Ratings

Maximum Output

Voltage	20 volts d-c
Current	
Average	5.0 amperes
Peak	30.0 amperes

Maximum Peak Inverse Voltage (half-wave circuit)	90 volts
-----------------------------------------------------	----------

Condensed-Mercury Temperature	130° C
-------------------------------	--------

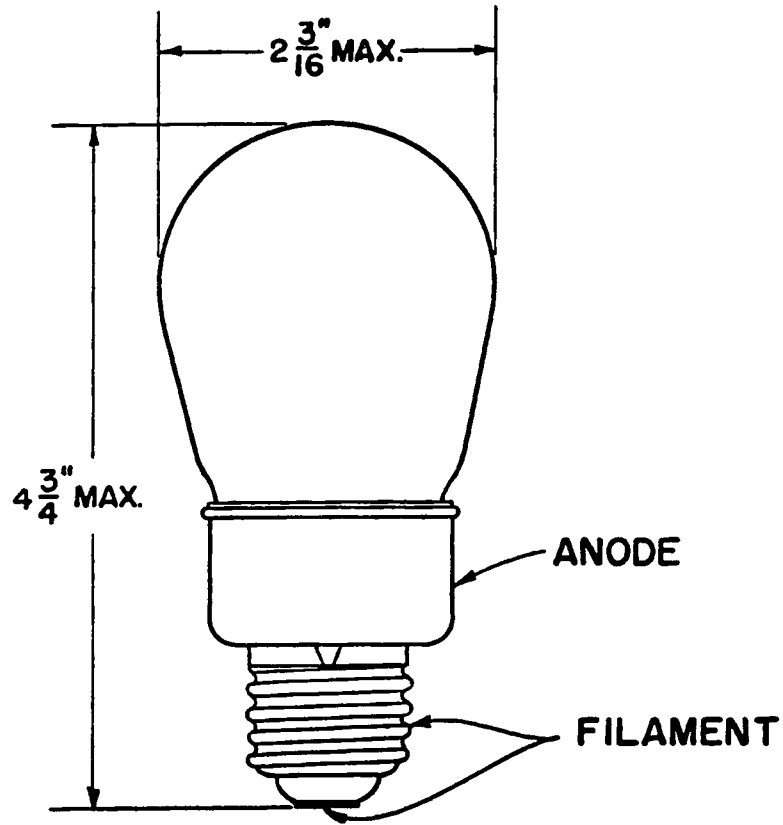
*Argon and Mercury Vapor

**20X672

Release No. 410

May 25, 1945

RMA
TYPE 4B36



BASE FOR RMA TYPE 4B36

