

ELECTRONICS DEPARTMENT
GENERAL  ELECTRIC

5B24—Description and Rating

The 5B24 is a mercury-vapor, high-voltage, full-wave rectifier for use in charging 60-cell batteries, and for supplying power to operate magnetic chucks and small motors.

MAXIMUM RATINGS, Absolute Values

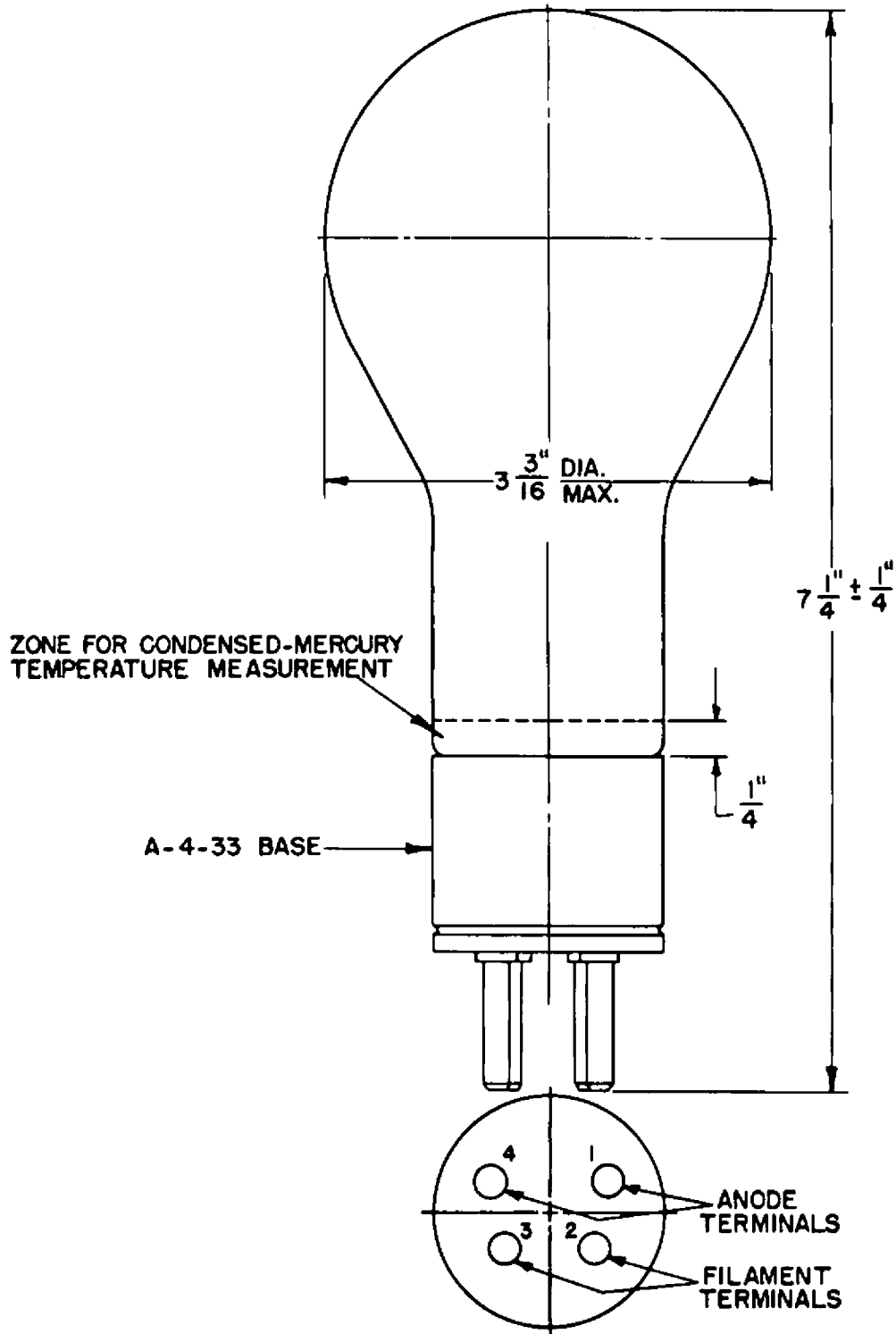
Maximum Peak Inverse Anode Voltage	1000	Volts
Maximum Cathode Current		
Peak	18	Amperes
Average	3	Amperes per Anode
Maximum Frequency	60	Cycles per Second

GENERAL

Electrical Data	Minimum	Bogey	Maximum	
Filament Voltage	2.375	2.5	2.625	Volts
Filament Current at 2.5 Volts		18	20	Amperes
Cathode Heating Time Required	300			Seconds
Initial Firing Voltage			20	Volts D-c
Recurrent Firing Voltage	8.5		20	Volts D-c
Anode Voltage Drop	7		15	Volts

Mechanical Data

Type of Cooling - Convection		
Mounting Position - Vertical, Base Down		
Net Weight, maximum		5 Ounces



N15121A2

5B24 Outline

February 25, 1948

GENERAL ELECTRIC COMPANY, SCHENECTADY, N. Y.