

GENERAL ELECTRIC

INDUSTRIAL AND MILITARY CATHODE RAY TUBES

5DRP4
Page 1
August 28, 1961

CATHODE RAY TUBE

5 INCH ROUND, GLASS	FACEPLATE - SPHERICAL, GREY
FOCUS - ELECTROSTATIC	PERSISTENCE - SHORT
DEFLECTION - MAGNETIC	70-DEGREE DEFLECTION ANGLE

ALUMINIZED

DESCRIPTION & RATING

The 5DRP4 is an electrostatic-focus and magnetic-deflection cathode ray tube for radar applications. Particular features of this tube are its short over-all length and small neck diameter, which permits its use in less equipment space.

GENERAL

ELECTRICAL

Heater Voltage 6.3 Volts
Heater Current 0.3 ± 10% Amperes

Focusing Method - Electrostatic
Deflecting Method - Magnetic
Deflection Angle, approximate 70 Degrees

Direct Interelectrode Capacitances, approximate
Cathode to All Other Electrodes 8 μmf
Grid No. 1 to All Other Electrodes 10 μmf
Grid No. 2 to All Other Electrodes 10 μmf

OPTICAL

Phosphor Number	P4
Fluorescent Color	White
Phosphorescent Color	White
Persistence	Short

MECHANICAL

Over-all Length 7 ± 1/4 Inches
Greatest Bulb Diameter 4-15/16 ± 1/16 Inches
Minimum Useful Screen Diameter 4-1/4 Inches

Bulb Contact - Recessed Small-Ball Cap, JETEC No. J1-22
Base - 9 Pin Miniature
Basing, JETEC Designation - Special
Bulb Contact Alignment
Plane of J1-22 Contact passes halfway between Pins #1 and #9 ± 10 Degrees
J1-22 Contact on same side as Pins #1 and #9.

Mounting Position -- Any

MAXIMUM RATINGS

DESIGN-CENTER VALUES*

Anode Voltage 10,000 Max Volts DC
Grid-No. 1 Voltage
Negative-Bias Value 200 Max Volts DC
Positive-Bias Value 0 Max Volts DC
Positive-Peak Value 2 Max Volts
Grid-No. 2 Voltage 630 Max Volts DC
Peak Heater-Cathode Voltage
Heater Negative With Respect to Cathode 180 Max Volts
Heater Positive With Respect to Cathode 180 Max Volts

TYPICAL OPERATING CONDITIONS

Anode Voltage 10,000 Volts DC
Grid-No. 1 Voltage # -33 to -77 Volts DC
Grid-No. 2 Voltage # 300 Volts DC
Line Width A ++ 0.35 mm Max.
Spot Position ## 10 mm
Focusing Anode Voltage
(100µA) 0 to +400 Volts DC
Modulation (100µA)35 Volts DC Max.

MAXIMUM CIRCUIT VALUES

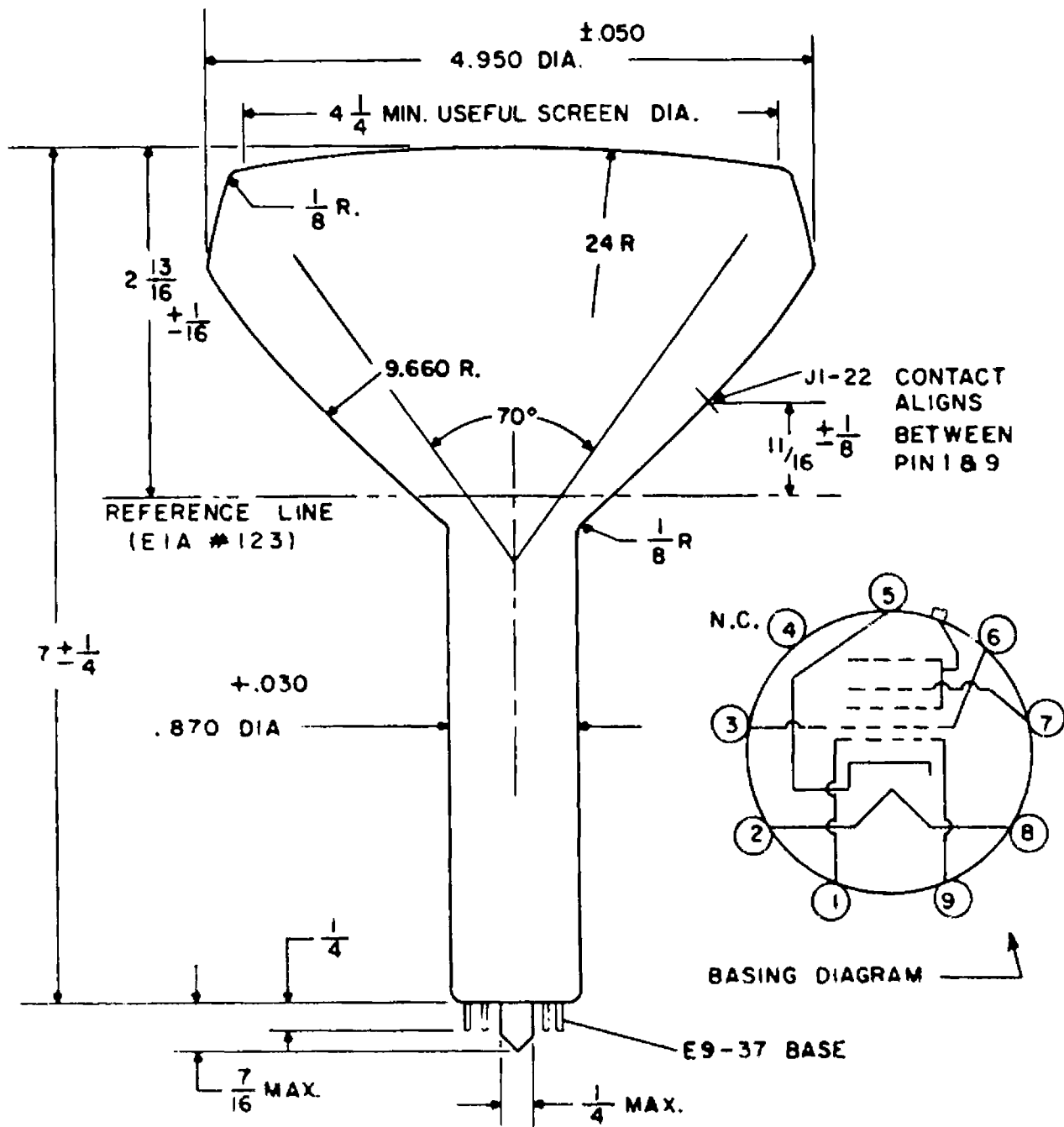
Grid-No. 1 Circuit Resistance 1.5 Max Megohms

- * The maximum ratings provide a ten percent safety factor in accordance with the standard design-center system of rating cathode ray tubes. The tube will withstand the combined effects of variations in line voltage and components provided the maximum design-center values are not exceeded by more than ten percent.
- # For visual extinction of undeflected focused spot.
- ++ Measured in accordance with MIL-E-10, paragraph 4.12.6.2 at an anode current of 100 microamperes.
- ## The center of the undeflected, unfocused spot will fall within a circle of 10 millimeters radius concentric with the tube face.

Cathode Ray Tube Department

GENERAL ELECTRIC COMPANY

Syracuse, New York



PIN	CONNECTIONS
1	GRID #1
2	HEATER
3	GRID #2
4	NOT CONNECTED
5	CATHODE

PIN	CONNECTIONS
6	GRID #2
7	FOCUS
8	HEATER
9	GRID #1