

Westinghouse

RELIATRON® TUBES

6794

August 19, 1955
 Revised
 September 9, 1955

WL-6794

The WL-6794 is a special triode designed for ionization gauge service. It can be used to measure pressures in the range from 10^{-3} mm Hg to 10^{-10} mm Hg. The cathode is a pure tungsten filament. This type is electrically interchangeable with electron tube type 5966.

GENERAL DATA

Electrical:

Filament Voltage*	6 vac or vdc
Filament Current	2.5 amps
Ion Collector Voltage	-100 max. volts
Grid Voltage	+500 max. volts

Mechanical:

Type of Cooling	Air
Max. Operating Temperature	100° centigrade
Bulb Glass	Nonex-code 7720
Tubulation Glass	Pyrex-code 7740
Operating Position	Vertical

TYPICAL OPERATION

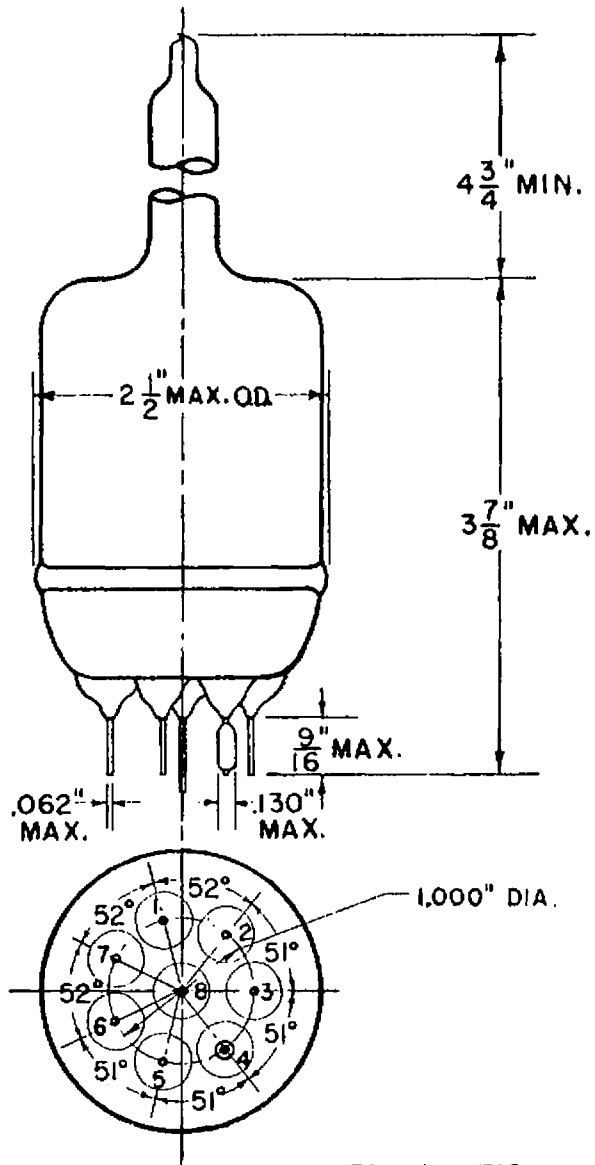
Ion Collector Voltage	-30 volts
Grid Voltage	+150 volts
Grid Current	10 ma.
Sensitivity	1 μ amp/ 10^{-5} mm Hg

CONDITIONS FOR OUTGASSING

Grid Voltage	+500 max. volts
Ion Collector	Tied to Grid
Filament**	
Series Connection	15 max. volts
Parallel Connection	7.5 max. volts
Outgas Power	100 max. watts

NOTES

- * Two filaments are supplied, one of which is a spare.
- ** To outgas the gauge, the two filaments may be connected either in series or parallel. Connect the ion collector to grid and attach to +500 volts dc. Adjust emission current by raising filament voltage to give the desired operating condition to outgas the elements.



Pin 1 - Filament No. 1
 Pin 2 - Filament No. 1
 Pin 3 - Grid
 Pin 4 - No Connection

Pin 5 - Filament No. 2
 Pin 6 - Filament No. 2
 Pin 7 - Grid
 Pin 8 - Anode

Nov. 6, 1961

