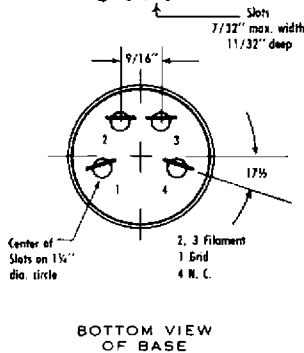


GRID CONTROL RECTIFIER TUBE

Xenon Gas Filling



BOTTOM VIEW OF BASE

Maximum Rated Anode Current	
D-c. Meter Value-Continuous	6.4 amps
D-c. Meter Value-Overload less than 3 sec.	12.8 amps
Averaging Time	6 secs
Oscillograph Peak-Continuously recurring	77 amps
Peak Forward Voltage (Max. Instantaneous)	1000 volts
Peak Inverse Voltage (Max. Instantaneous)	1250 volts
Max. Commutation Factor (V/usec x A/usec)	
	130
Filament	
Voltage	2.5 volts
Current	21±2 amps
Heating Time (minimum)	60 secs
Average Arc Drop	
Average Tube	11 volts
Highest Tube	15 volts
Anode Starting Voltage @ +3V d-c grid voltage	
Average Tube	40 volts
Highest Tube	80 volts
Max. Anode Reverse Current	
	100 uamps
Grid Characteristics	
Critical Grid Voltage @ 1000 p.f.v.	-2.0 to -15 volts
Critical Grid Current	Less than 20 uamps
Grid-Anode Capacitance	approx. 5 uuf
Grid-Filament Capacitance	approx. 21 uuf
Maximum Negative Grid Voltage	
	100 volts
Deionization Time	
	Less than 1000 usecs
Max. Peak A-c Fault Current	
(Max. duration 0.1 sec.)	770 amps
Ambient Temperature Limits	
	-55° to +75° C
Overall Dimensions	
	2-3/16" x 9-1/4" max.
Weight	
	8 ozs.

Connections
 Filament and Grid Lug type base
 Anode Cl-5 cap (0.56" dia.) with ceramic insulator.

The filament must be lit before drawing d-c. load current

The anode is designed to operate at red heat when under full load. All of the above values are for returns to the filament transformer center tap. Filament pin #2 should be negative with respect to pin #3 during the anode conduction period.

The Engineering Manual contains additional information which should be considered in the circuit design.

ELECTRONS, INCORPORATED
 127 Sussex Avenue
 Newark 3, New Jersey

